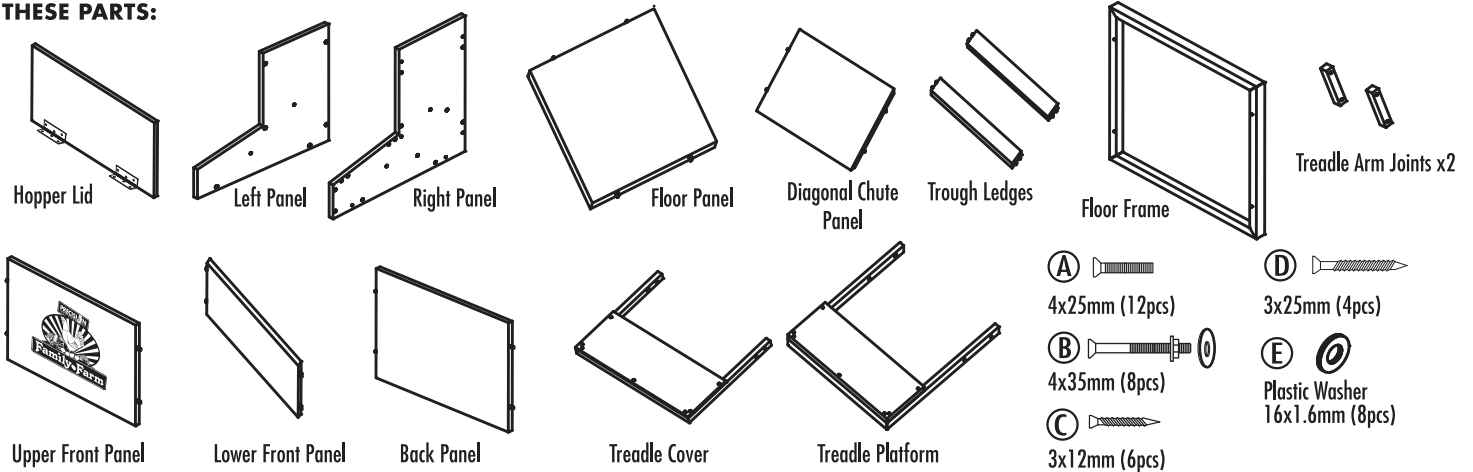
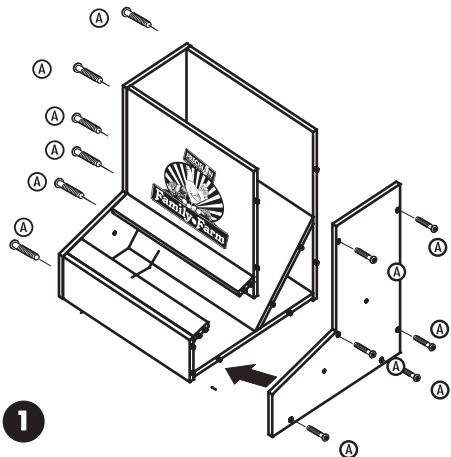


Chicken Treadle Feeder

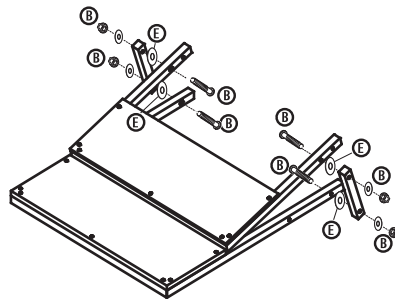
THIS BOX CONTAINS THESE PARTS:



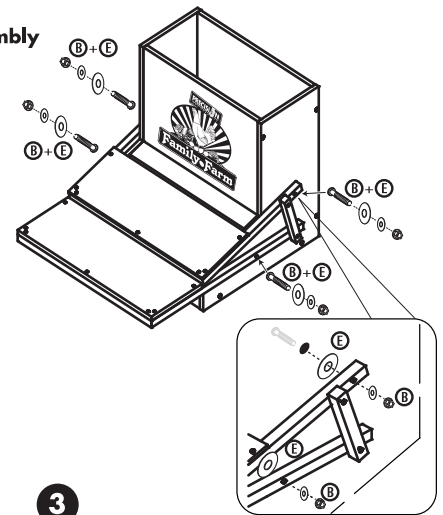
Assembly Instructions *Screwdriver Needed for Assembly



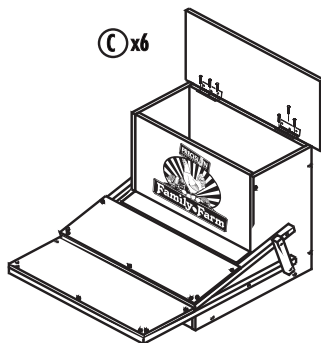
1 Peg the back panel, floor panel and lower front panel to the left side panel and loosely secure using Bolt A. Do not tighten bolts. Next attach the upper front panel, trough ledges and diagonal chute panel to the left side panel making sure all pegs are in place. Secure with Bolt A and tighten all bolts on the left side panel.



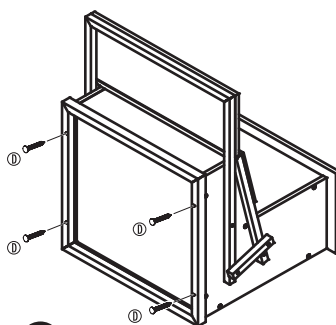
2 Attach the treadle arm joints to the treadle platform and the treadle cover with Bolt B passing through the treadle cover arm, through Plastic Washer E, through the treadle arm joint, through Metal Washer B and secured with Nut B.



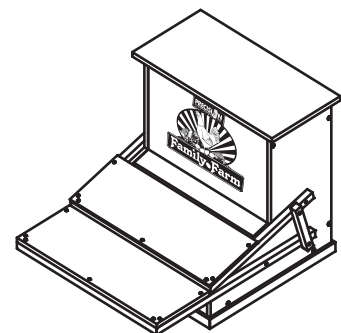
3 Attach the treadle to the feeder. Bolt B will enter the appropriate hole from the inside of the feeder. Add a Plastic Washer E between the feeder and the treadle arm. Secure Bolt B with Metal Washer B and Nut B. Adjust the tension of the treadle's ability to open and close by tightening or loosening the nuts.



4 Attach hopper lid using Screw C to secure Hinges.



5 Attach base frame using Screw D.



Cleaning Instructions:
Clean with water and mild soap.
Avoid harsh detergents.
Dry completely.